

<IGBT Modules>

# CM600DU-24TH

HIGH POWER SWITCHING USE  
INSULATED TYPE



Collector current  $I_c$  ..... **6 0 0 A**  
 Collector-emitter voltage  $V_{CES}$  ..... **1 2 0 0 V**  
 Maximum junction temperature  $T_{vjmax}$  ..... **1 7 5 °C**

- dual switch (half-bridge)
- Copper base plate (Nickel-plating)
- Tin-plating tab terminals
- RoHS Directive compliant
- UL Recognized under UL1557, File No. E323585

### APPLICATION

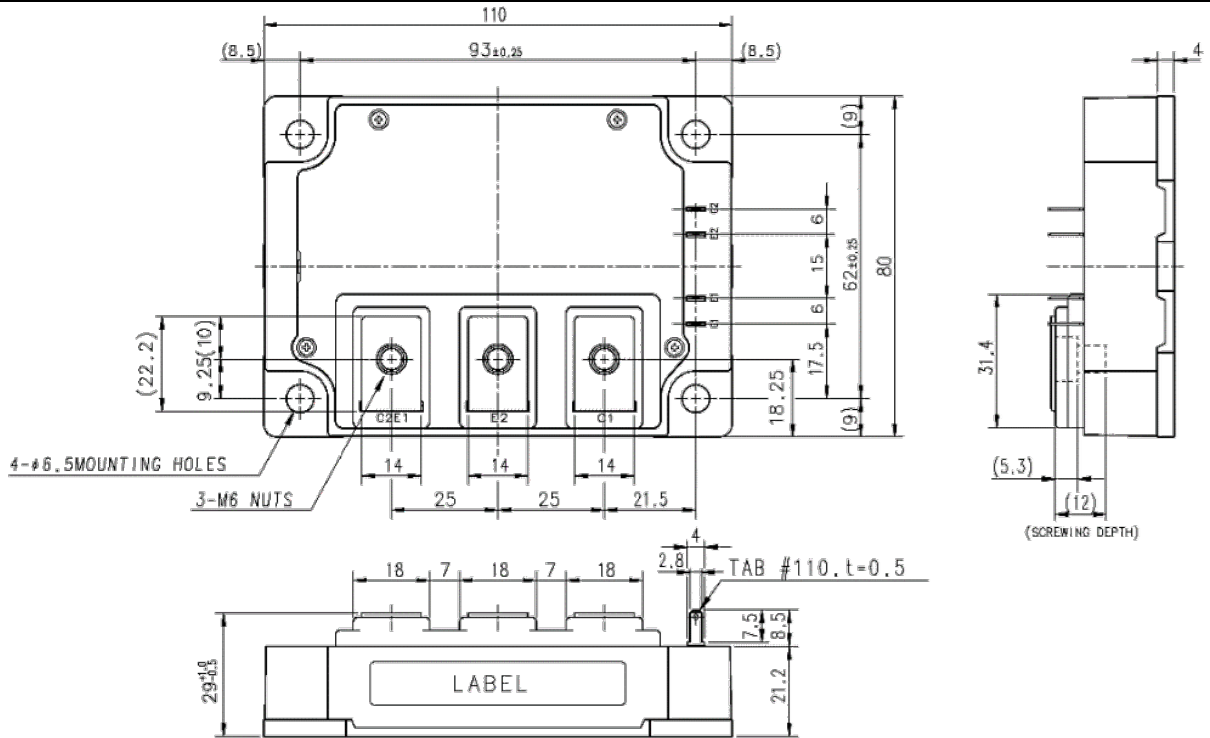
Medical equipment, Welder, Power supply, etc.

### OPTION (Below options are available.)

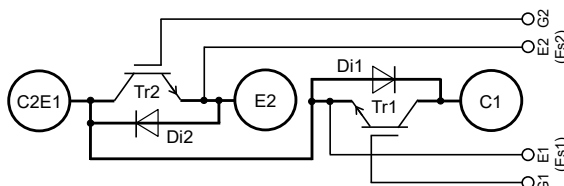
- $V_{CESat}$  selection for parallel connection

### OUTLINE DRAWING & INTERNAL CONNECTION

Dimension in mm



### INTERNAL CONNECTION



Tolerance otherwise specified

Division of Dimension	Tolerance
0.5 to 3	±0.2
over 3 to 6	±0.3
over 6 to 30	±0.5
over 30 to 120	±0.8
over 120 to 400	±1.2

JIS B 0405 c

# CM600DU-24TH

HIGH POWER SWITCHING USE  
INSULATED TYPE

### MAXIMUM RATINGS (T<sub>vj</sub>=25 °C, unless otherwise specified)

Symbol	Item	Conditions	Rating	Unit
V <sub>CES</sub>	Collector-emitter voltage	G-E short-circuited	1200	V
V <sub>GES</sub>	Gate-emitter voltage	C-E short-circuited	± 20	V
I <sub>C</sub>	Collector current	DC, T <sub>C</sub> =25 °C (Note2, 4)	600	A
I <sub>CRM</sub>		Pulse, Repetitive (Note3)	1200	
P <sub>tot</sub>	Total power dissipation	T <sub>C</sub> =25 °C (Note2, 4)	2880	W
I <sub>E</sub> (Note1)	Emitter current	DC, T <sub>C</sub> =25 °C (Note2)	600	A
I <sub>ERM</sub> (Note1)		Pulse, Repetitive (Note3)	1200	
V <sub>isol</sub>	Isolation voltage	Terminals to base plate, RMS, f=60 Hz, AC 1 min	4000	V
T <sub>vjmax</sub>	Maximum junction temperature	Instantaneous event (overload) (Note 8)	175	°C
T <sub>Cmax</sub>	Maximum case temperature	(Note4, 8)	125	
T <sub>vjop</sub>	Operating junction temperature	Continuous operation (under switching) (Note 8)	-40 ~ +150	°C
T <sub>stg</sub>	Storage temperature	-	-40 ~ +125	

### ELECTRICAL CHARACTERISTICS (T<sub>vj</sub>=25 °C, unless otherwise specified)

Symbol	Item	Conditions	Limits			Unit	
			Min.	Typ.	Max.		
I <sub>CES</sub>	Collector-emitter cut-off current	V <sub>CE</sub> =V <sub>CES</sub> , G-E short-circuited	T <sub>vj</sub> =25 °C	-	-	1.0	mA
			T <sub>vj</sub> =150 °C	-	-	100.0	
I <sub>GES</sub>	Gate-emitter leakage current	V <sub>GE</sub> =V <sub>GES</sub> , C-E short-circuited	-	-	0.5	µA	
V <sub>GE(th)</sub>	Gate-emitter threshold voltage	I <sub>C</sub> =60 mA, V <sub>CE</sub> =10 V	5.40	6.00	6.60	V	
V <sub>CESat</sub> (Terminal)	Collector-emitter saturation voltage	I <sub>C</sub> =600 A, V <sub>GE</sub> =15 V, Refer to the figure of test circuit (Note5)	T <sub>vj</sub> =25 °C	-	4.45	5.15	V
			T <sub>vj</sub> =125 °C	-	4.55	-	
			T <sub>vj</sub> =150 °C	-	4.45	-	
V <sub>CESat</sub> (Chip)	Collector-emitter saturation voltage	I <sub>C</sub> =600 A, V <sub>GE</sub> =15 V, (Note5)	T <sub>vj</sub> =25 °C	-	4.35	5.05	V
			T <sub>vj</sub> =125 °C	-	4.45	-	
			T <sub>vj</sub> =150 °C	-	4.35	-	
C <sub>ies</sub>	Input capacitance	V <sub>CE</sub> =10 V, G-E short-circuited	-	-	90.0	nF	
C <sub>oes</sub>	Output capacitance		-	-	7.5		
C <sub>res</sub>	Reverse transfer capacitance		-	-	1.5		
Q <sub>G</sub>	Gate charge	V <sub>CC</sub> =600 V, I <sub>C</sub> =600 A, V <sub>GE</sub> =15 V	-	1.5	-	µC	
t <sub>d(on)</sub>	Turn-on delay time	V <sub>CC</sub> =600 V, I <sub>C</sub> =600 A, V <sub>GE</sub> =±15 V, R <sub>G</sub> =0 Ω, Inductive load	-	-	400	ns	
t <sub>r</sub>	Rise time		-	-	120		
t <sub>d(off)</sub>	Turn-off delay time		-	-	700		
t <sub>f</sub>	Fall time		-	-	250		
V <sub>EC</sub> (Note.1) (Terminal)	Emitter-collector voltage	I <sub>E</sub> =600 A, G-E short-circuited, Refer to the figure of test circuit (Note5)	T <sub>vj</sub> =25 °C	-	2.45	2.85	V
			T <sub>vj</sub> =125 °C	-	2.60	-	
			T <sub>vj</sub> =150 °C	-	2.55	-	
V <sub>EC</sub> (Note.1) (Chip)	Emitter-collector voltage	I <sub>E</sub> =600 A, G-E short-circuited, (Note5)	T <sub>vj</sub> =25 °C	-	2.35	2.75	V
			T <sub>vj</sub> =125 °C	-	2.50	-	
			T <sub>vj</sub> =150 °C	-	2.45	-	
t <sub>rr</sub> (Note1)	Reverse recovery time	V <sub>CC</sub> =600 V, I <sub>E</sub> =600 A, V <sub>GE</sub> =±15 V,	-	-	250	ns	
Q <sub>rr</sub> (Note1)	Reverse recovery charge	R <sub>G</sub> =0 Ω, Inductive load	-	39	-	µC	
E <sub>on</sub>	Turn-on switching energy per pulse	V <sub>CC</sub> =600 V, I <sub>C</sub> =I <sub>E</sub> =600 A,	-	15.0	-	mJ	
E <sub>off</sub>	Turn-off switching energy per pulse	V <sub>GE</sub> =±15 V, R <sub>G</sub> =0 Ω, T <sub>vj</sub> =150 °C,	-	35.0	-		
E <sub>rr</sub> (Note1)	Reverse recovery energy per pulse	Inductive load	-	35.0	-	mJ	
R <sub>CC+EE'</sub>	Internal lead resistance	Main terminals-chip, per switch, T <sub>C</sub> =25 °C (Note4)	-	0.2	-	mΩ	
r <sub>g</sub>	Internal gate resistance	Per switch	-	0.5	-	Ω	

<IGBT Modules>  
**CM600DU-24TH**

HIGH POWER SWITCHING USE  
 INSULATED TYPE

**THERMAL RESISTANCE CHARACTERISTICS**

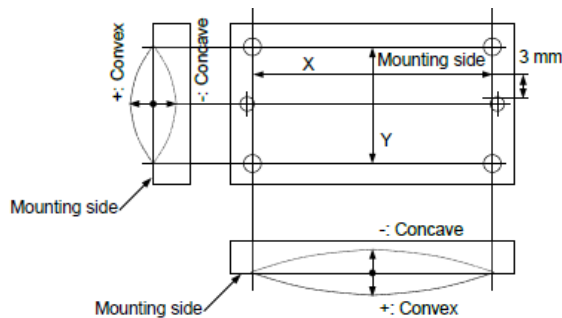
Symbol	Item	Conditions	Limits			Unit
			Min.	Typ.	Max.	
$R_{th(j-c)Q}$	Thermal resistance	Junction to case, per Inverter IGBT (Note4)	-	-	52	K/kW
$R_{th(j-c)D}$		Junction to case, per Inverter FWD (Note4)	-	-	95	
$R_{th(c-s)}$	Contact thermal resistance	Case to heat sink, per 1 module, Thermal grease applied (Note4, 6, 8)	-	9	-	K/kW

**MECHANICAL CHARACTERISTICS**

Symbol	Item	Conditions	Limits			Unit
			Min.	Typ.	Max.	
$M_t$	Mounting torque	Main terminals M 6 screw	3.5	4.0	4.5	N·m
$M_s$	Mounting torque	Mounting to heat sink M 6 screw	3.5	4.0	4.5	N·m
$d_s$	Creepage distance	Terminal to terminal	17.0	-	-	mm
		Terminal to base plate	42.6	-	-	
$d_a$	Clearance	Terminal to terminal	11.0	-	-	mm
		Terminal to base plate	28.1	-	-	
$e_c$	Flatness of base plate	On the centerline X,Y (Note7)	-100	-	+100	$\mu$ m
$m$	mass	-	-	580	-	g

\*. This product is compliant with the Restriction of the Use of Certain Hazardous Substances in Electrical and Electronic Equipment (RoHS) directive 2011/65/EU and (EU)2015/863.

- Note1. Represent ratings and characteristics of the anti-parallel, emitter-collector free-wheeling diode (FWD).
- Junction temperature ( $T_{vj}$ ) should not increase beyond  $T_{vjmax}$  rating.
  - Pulse width and repetition rate should be such that the device junction temperature ( $T_{vj}$ ) dose not exceed  $T_{vjmax}$  rating.
  - Case temperature ( $T_c$ ) and heat sink temperature ( $T_s$ ) are defined on the each surface (mounting side) of base plate and heat sink just under the chips. Refer to the figure of chip location.
  - Pulse width and repetition rate should be such as to cause negligible temperature rise. Refer to the figure of test circuit.
  - Typical value is measured by using thermally conductive grease of  $\lambda=0.9$  W/(m·K)/ $D_{(c-s)}=100$   $\mu$ m.
  - The base plate (mounting side) flatness measurement point (X,Y) is as follows of the following figure.



Long term performance related to thermal conductive grease and PC-TIM (including but not limited to aspects such as the increase of thermal resistance due to pumping out, etc.) should be verified under your specific application conditions. Each temperature condition ( $T_{vjmax}$ ,  $T_{vjop}$ ,  $T_{cmax}$ ) must be maintained below the maximum rated temperature throughout consideration of the temperature rise even for long term usage.

※ No short circuit capability is designed.

# CM600DU-24TH

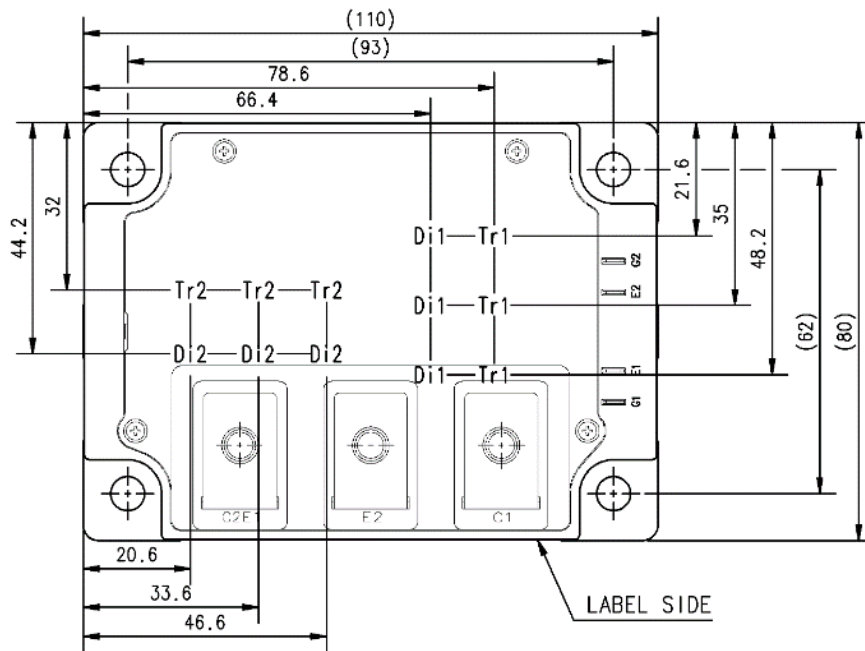
HIGH POWER SWITCHING USE  
INSULATED TYPE

## RECOMMENDED OPERATING CONDITIONS

Symbol	Item	Conditions	Limits			Unit
			Min.	Typ.	Max.	
$V_{CC}$	(DC) Supply voltage	Applied across C1-E2 terminals	-	600	850	V
$V_{GEon}$	Gate (-emitter drive) voltage	Applied across G1-Es1/G2-Es2 terminals	13.5	15.0	16.5	V
$R_G$	External gate resistance	Per switch	0	-	10	$\Omega$
$f_c$	Switching frequency	$V_{CC}=600\text{ V}$ , $R_G=0\ \Omega$ , $V_{GE}=\pm 15\text{ V}$ , $T_{vj}=150^\circ\text{C}$	-	-	60	kHz

## CHIP LOCATION (Top view)

Dimension in mm, tolerance:  $\pm 1\text{ mm}$

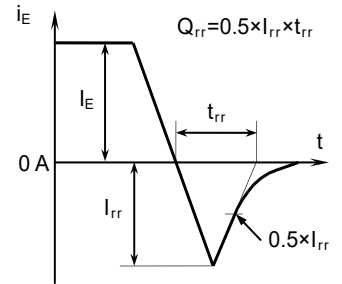
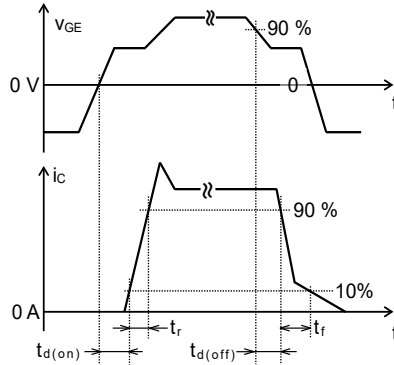
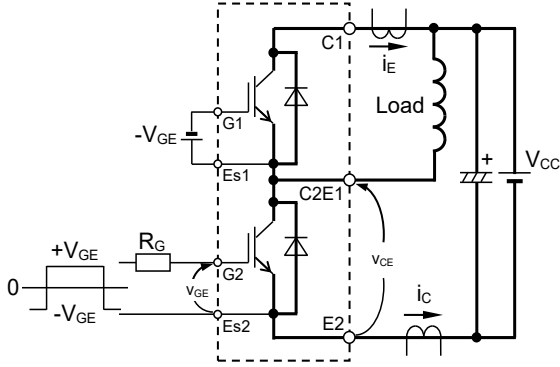


Tr1/Tr2: IGBT, Di1/Di2: FWD

<IGBT Modules>  
**CM600DU-24TH**

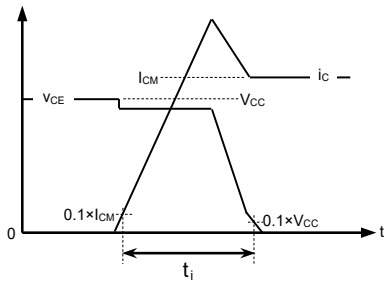
HIGH POWER SWITCHING USE  
 INSULATED TYPE

**TEST CIRCUIT AND WAVEFORMS**

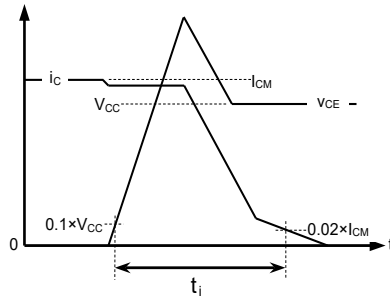


Switching characteristics test circuit and waveforms

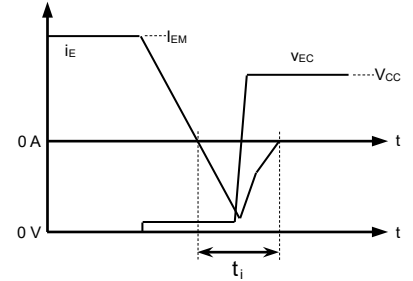
$t_{rr}$ ,  $Q_{rr}$  characteristics test waveform



IGBT Turn-on switching energy



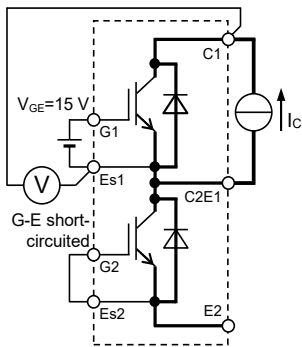
IGBT Turn-off switching energy



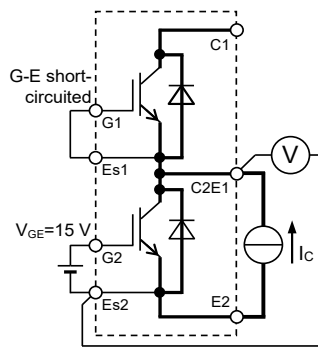
FWD Reverse recovery energy

Turn-on / Turn-off switching energy and Reverse recovery energy test waveforms (Integral time instruction drawing)

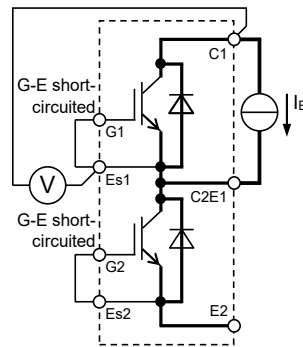
**TEST CIRCUIT**



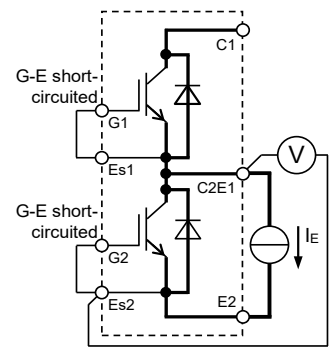
Tr1  
 $V_{CEsat}$  characteristics test circuit



Tr2



Di1



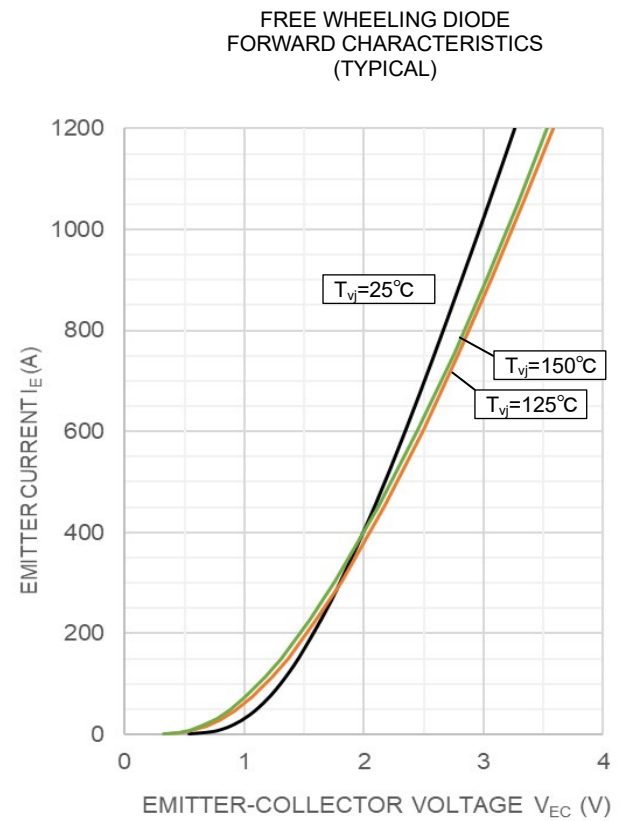
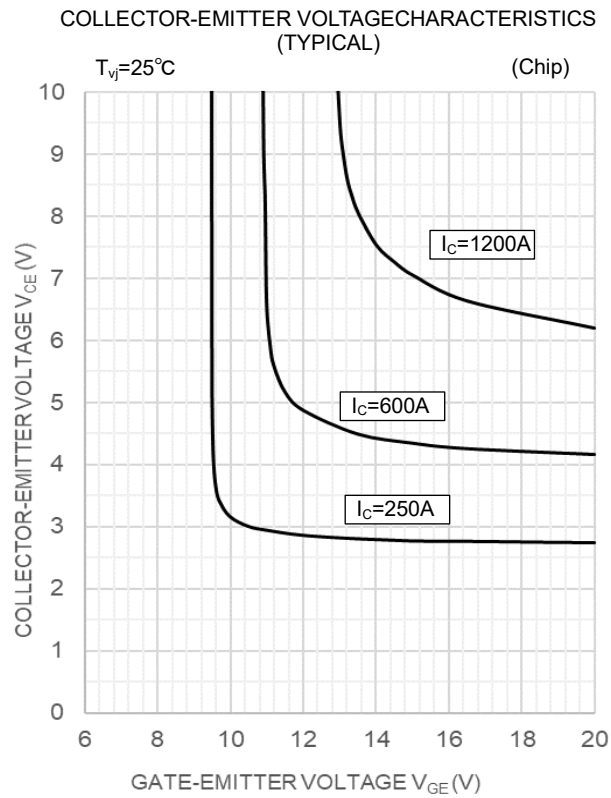
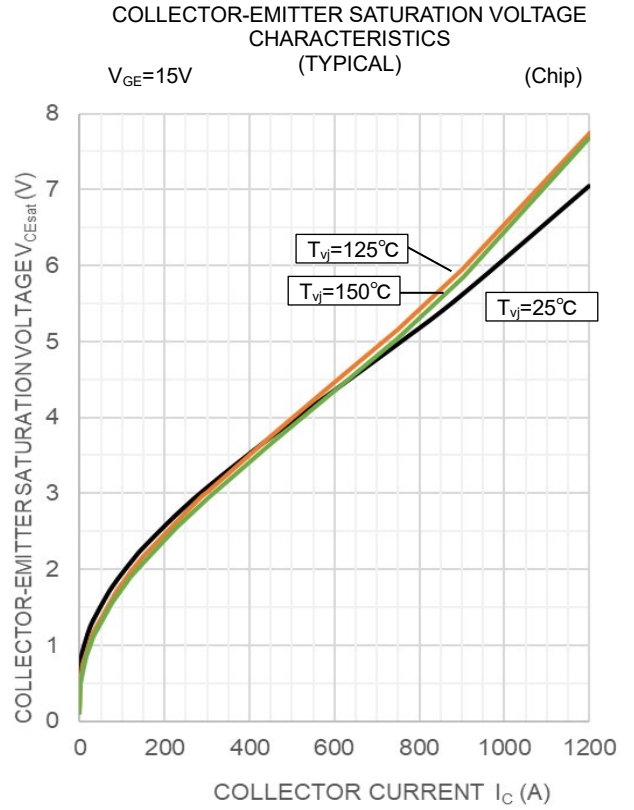
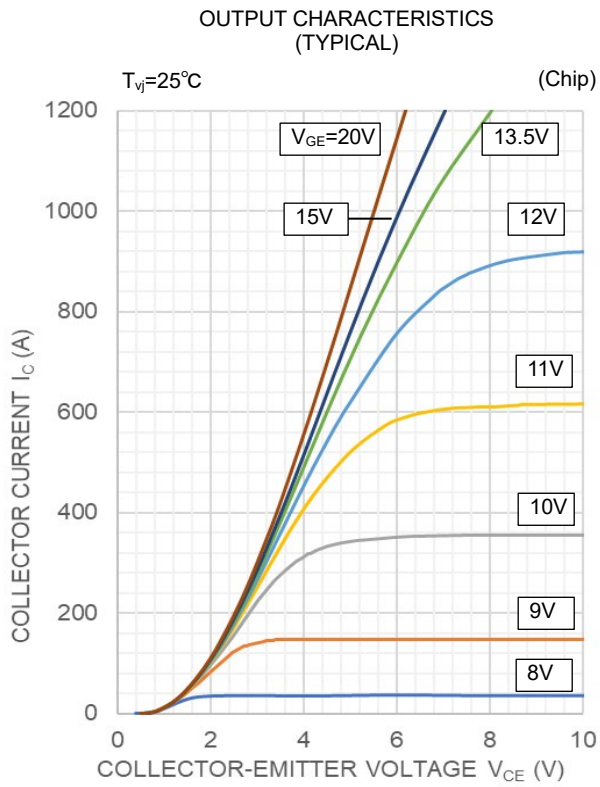
Di2

$V_{EC}$  characteristics test circuit

<IGBT Modules>  
**CM600DU-24TH**

HIGH POWER SWITCHING USE  
 INSULATED TYPE

PERFORMANCE CURVES



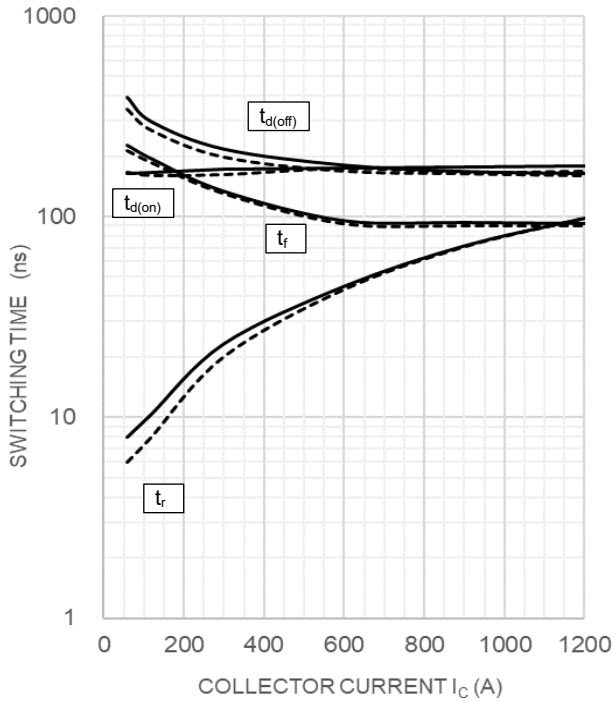
<IGBT Modules>  
**CM600DU-24TH**

HIGH POWER SWITCHING USE  
 INSULATED TYPE

PERFORMANCE CURVES

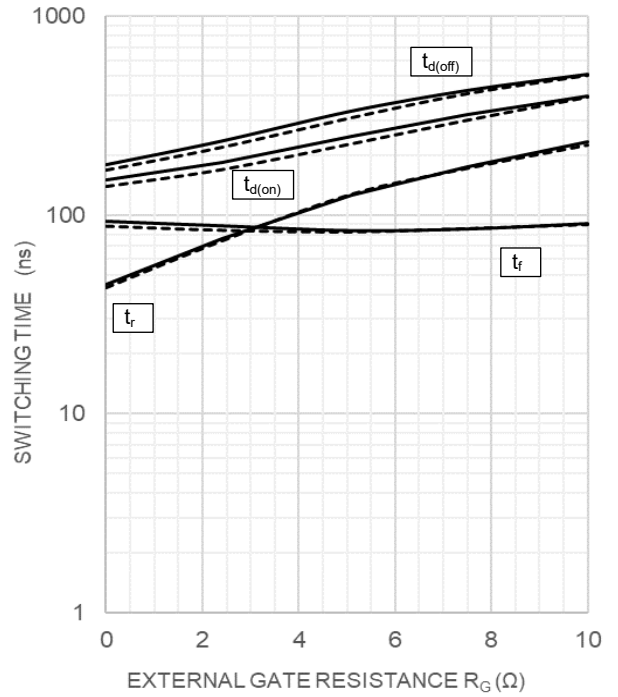
HALF-BRIDGE SWITCHING CHARACTERISTICS  
 (TYPICAL)

$V_{CC}=600V, V_{GE}=\pm 15V, R_G=0\Omega$ , INDUCTIVE LOAD  
 — :  $T_{vj}=150^\circ C$  - - - - :  $T_{vj}=125^\circ C$



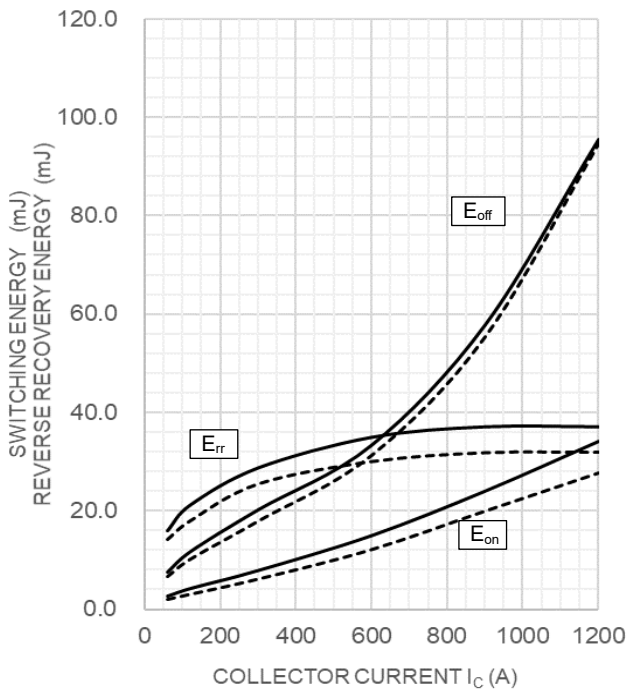
HALF-BRIDGE SWITCHING CHARACTERISTICS  
 (TYPICAL)

$V_{CC}=600V, V_{GE}=\pm 15V, I_C=600A$ , INDUCTIVE LOAD  
 — :  $T_{vj}=150^\circ C$  - - - - :  $T_{vj}=125^\circ C$



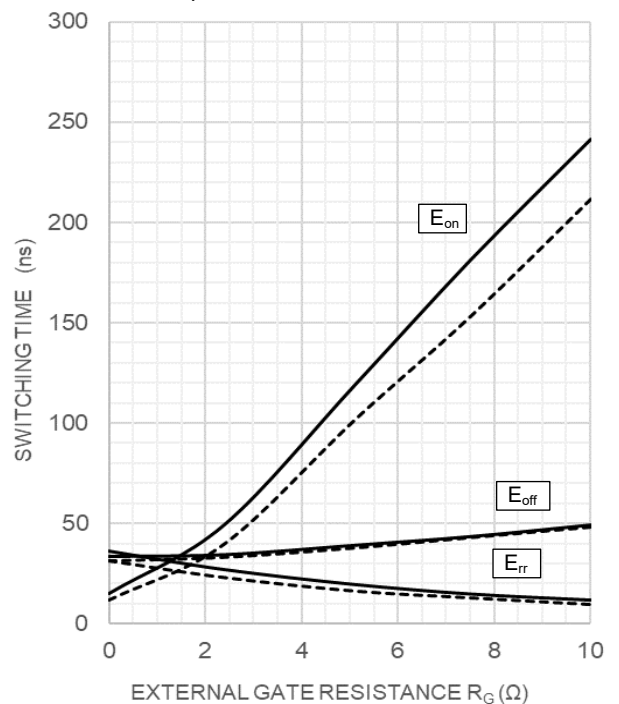
HALF-BRIDGE SWITCHING CHARACTERISTICS  
 (TYPICAL)

$V_{CC}=600V, V_{GE}=\pm 15V, R_G=0\Omega$ , INDUCTIVE LOAD  
 — :  $T_{vj}=150^\circ C$  - - - - :  $T_{vj}=125^\circ C$



HALF-BRIDGE SWITCHING CHARACTERISTICS  
 (TYPICAL)

$V_{CC}=600V, V_{GE}=\pm 15V, I_C=600A$ , INDUCTIVE LOAD  
 — :  $T_{vj}=150^\circ C$  - - - - :  $T_{vj}=125^\circ C$



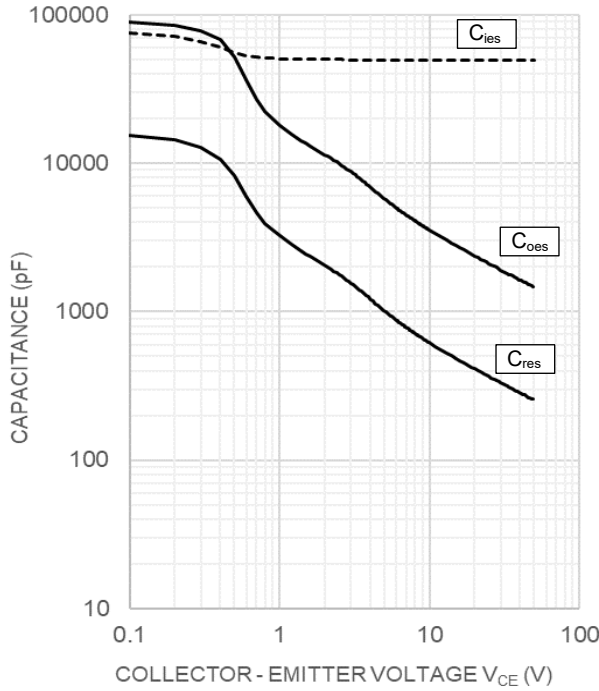
<IGBT Modules>  
**CM600DU-24TH**

HIGH POWER SWITCHING USE  
 INSULATED TYPE

PERFORMANCE CURVES

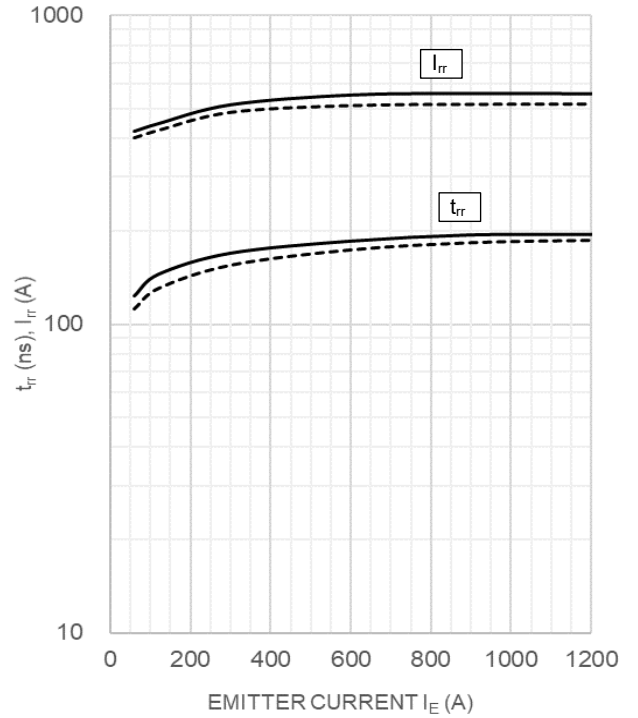
CAPACITANCE CHARACTERISTICS  
 (TYPICAL)

G-E short-circuited,  $T_{vj}=25^{\circ}\text{C}$



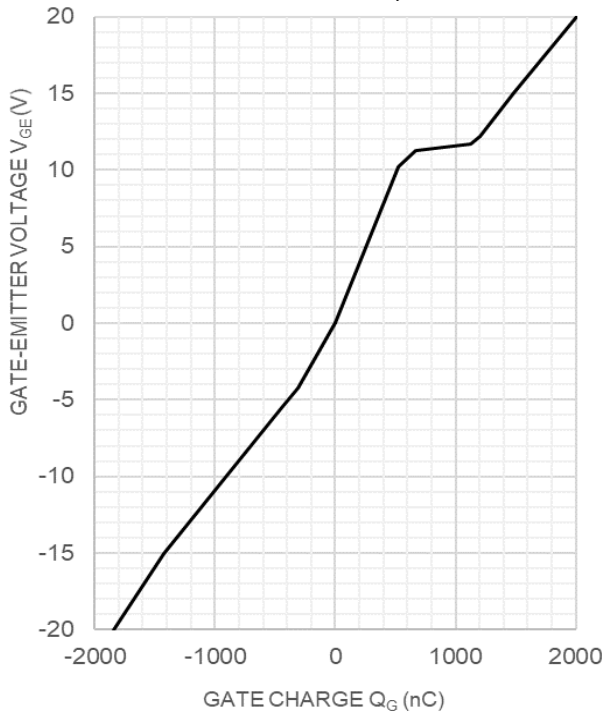
FREE WHEELING DIODE  
 REVERSE RECOVERY CHARACTERISTICS  
 (TYPICAL)

$V_{CC}=600\text{V}$ ,  $V_{GE}=\pm 15\text{V}$ ,  $R_G=0\Omega$ , INDUCTIVE LOAD  
 — :  $T_{vj}=150^{\circ}\text{C}$  - - - :  $T_{vj}=125^{\circ}\text{C}$



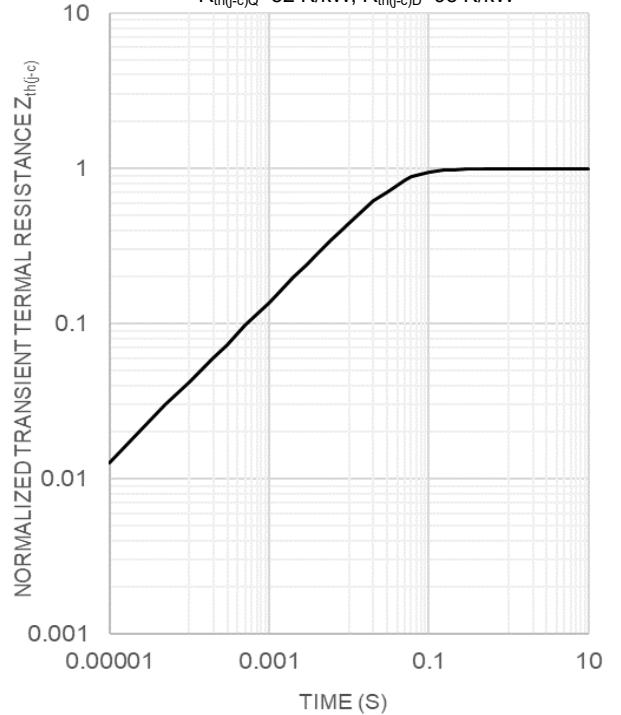
GATE CHARGE CHARACTERISTICS  
 (TYPICAL)

$V_{CC}=600\text{V}$ ,  $I_C=600\text{A}$ ,  $T_{vj}=25^{\circ}\text{C}$



TRANSIENT THERMAL IMPEDANCE CHARACTERISTICS  
 (MAXIMUM)

Single pulse,  $T_C=25^{\circ}\text{C}$   
 $R_{th(j-c)Q}=52\text{ K/kW}$ ,  $R_{th(j-e)D}=95\text{ K/kW}$





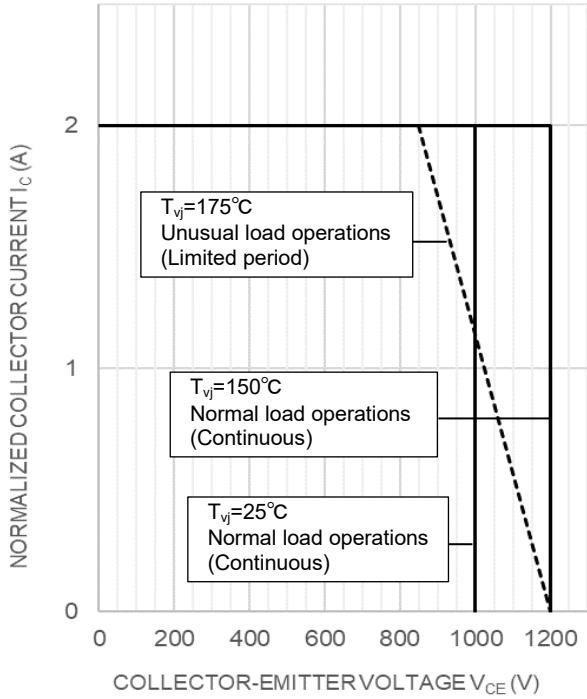
# CM600DU-24TH

HIGH POWER SWITCHING USE  
INSULATED TYPE

## PERFORMANCE CURVES

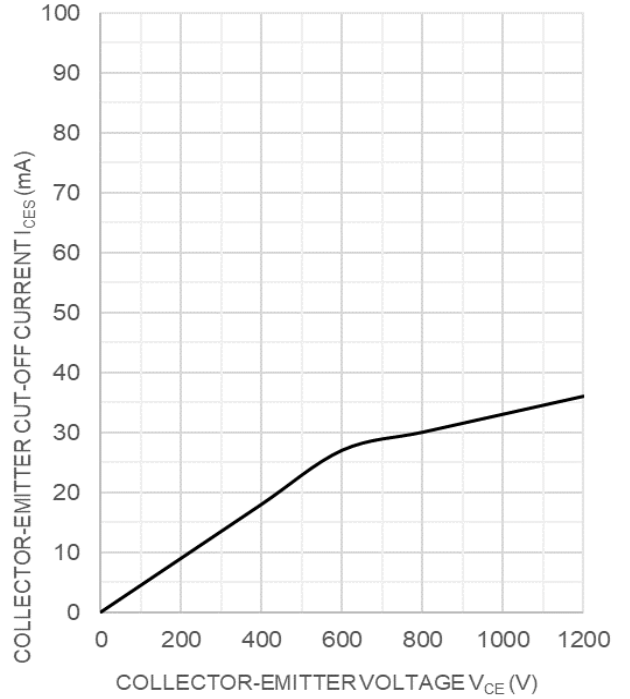
TURN-OFF SWITCHING SAFE OPERATING AREA  
(REVERSE BIAS SAFE OPERATING AREA)  
(MAXIMUM)

$V_{CC}=600V, I_C=600A, T_{vj}=25^\circ C$



COLLECTOR-EMITTER CUT-OFF CURRENT  
CHARACTERISTICS  
(TYPICAL)

$T_{vj}=150^\circ C, G-E$  short-circuited



Note: The characteristics curves are presented for reference only and not guaranteed by production test, unless otherwise noted.

## CM600DU-24TH

HIGH POWER SWITCHING USE

INSULATED TYPE

---

---

### **Important Notice**

The information contained in this datasheet shall in no event be regarded as a guarantee of conditions or characteristics. This product has to be used within its specified maximum ratings, and is subject to customer's compliance with any applicable legal requirement, norms and standards.

Except as otherwise explicitly approved by Mitsubishi Electric Corporation in a written document signed by authorized representatives of Mitsubishi Electric Corporation, our products may not be used in any applications where a failure of the product or any consequences of the use thereof can reasonably be expected to result in personal injury.

In usage of power semiconductor, there is always the possibility that trouble may occur with them by the reliability lifetime such as Power Cycle, Thermal Cycle or others, or when used under special circumstances (e.g. condensation, high humidity, dusty, salty, highlands, environment with lots of organic matter / corrosive gas / explosive gas, or situations which terminals of semiconductor products receive strong mechanical stress). Therefore, please pay sufficient attention to such circumstances. Further, depending on the technical requirements, our semiconductor products may contain environmental regulation substances, etc. If there is necessity of detailed confirmation, please contact our nearest sales branch or distributor.

The contents or data contained in this datasheet are exclusively intended for technically trained staff. Customer's technical departments should take responsibility to evaluate the suitability of Mitsubishi Electric Corporation product for the intended application and the completeness of the product data with respect to such application. In the customer's research and development, please evaluate it not only with a single semiconductor product but also in the entire system, and judge whether it's applicable. As required, pay close attention to the safety design by installing appropriate fuse or circuit breaker between a power supply and semiconductor products to prevent secondary damage. Please also pay attention to the application note and the related technical information.

## **Keep safety first in your circuit designs!**

Mitsubishi Electric Corporation puts the maximum effort into making semiconductor products better and more reliable, but there is always the possibility that trouble may occur with them. Trouble with semiconductors may lead to personal injury, fire or property damage. Remember to give due consideration to safety when making your circuit designs, with appropriate measures such as (i) placement of substitutive, auxiliary circuits, (ii) use of non-flammable material or (iii) prevention against any malfunction or mishap.

## **Notes regarding these materials**

- These materials are intended as a reference to assist our customers in the selection of the Mitsubishi Electric Semiconductor product best suited to the customer's application; they do not convey any license under any intellectual property rights, or any other rights, belonging to Mitsubishi Electric Corporation or a third party.
- Mitsubishi Electric Corporation assumes no responsibility for any damage, or infringement of any third-party's rights, originating in the use of any product data, diagrams, charts, programs, algorithms, or circuit application examples contained in these materials.
- All information contained in these materials, including product data, diagrams, charts, programs and algorithms represents information on products at the time of publication of these materials, and are subject to change by Mitsubishi Electric Corporation without notice due to product improvements or other reasons. It is therefore recommended that customers contact Mitsubishi Electric Corporation or an authorized Mitsubishi Electric Semiconductor product distributor for the latest product information before purchasing a product listed herein.  
The information described here may contain technical inaccuracies or typographical errors. Mitsubishi Electric Corporation assumes no responsibility for any damage, liability, or other loss rising from these inaccuracies or errors.  
Please also pay attention to information published by Mitsubishi Electric Corporation by various means, including the Mitsubishi Electric Semiconductor home page (<http://www.MitsubishiElectric.com/semiconductor/>).
- When using any or all of the information contained in these materials, including product data, diagrams, charts, programs, and algorithms, please be sure to evaluate all information as a total system before making a final decision on the applicability of the information and products. Mitsubishi Electric Corporation assumes no responsibility for any damage, liability or other loss resulting from the information contained herein.
- Mitsubishi Electric Corporation semiconductors are not designed or manufactured for use in a device or system that is used under circumstances in which human life is potentially at stake. Please contact Mitsubishi Electric Corporation or an authorized Mitsubishi Electric Semiconductor product distributor when considering the use of a product contained herein for any specific purposes, such as apparatus or systems for transportation, vehicular, medical, aerospace, nuclear, or undersea repeater use.
- The prior written approval of Mitsubishi Electric Corporation is necessary to reprint or reproduce in whole or in part these materials.
- If these products or technologies are subject to the Japanese export control restrictions, they must be exported under a license from the Japanese government and cannot be imported into a country other than the approved destination.  
Any diversion or re-export contrary to the export control laws and regulations of Japan and/or the country of destination is prohibited.
- Please contact Mitsubishi Electric Corporation or an authorized Mitsubishi Electric Semiconductor product distributor for further details on these materials or the products contained therein.

Generally the listed company name and the brand name are the trademarks or registered trademarks of the respective companies.